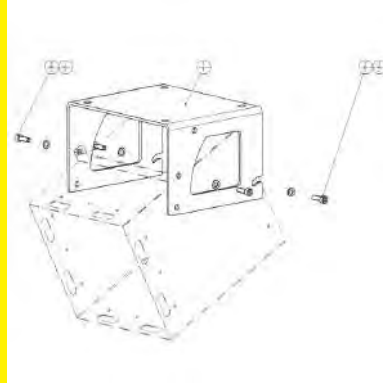




af-x fireblocker



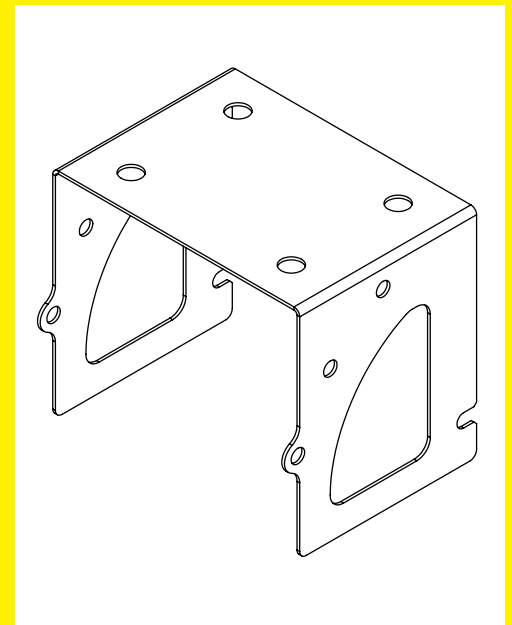
SS Bracket n-BXS & n-BS
Article: 30-20-131-00-00



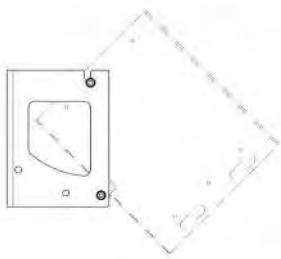
TECHNICAL INFORMATION

material	stainless steel 304 (2 mm thick)
AF-X Fireblocker	n-BXS & n-BS
dimensions (h x w x d)	144 x 185 x 161,5 mm
projection angles ceiling	0, 27 & 45 degrees
projection angles wall	45, 63 & 90 degrees 4x
amount of bolts	(DIN 912)
wall connection \varnothing	15 mm (4x)
wall connection \varnothing with insulation package	8 mm (4x)

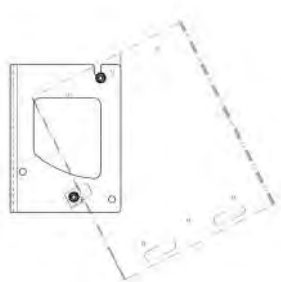
*use insulation pack with metal substrate



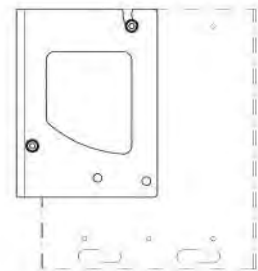
wall 45 degrees



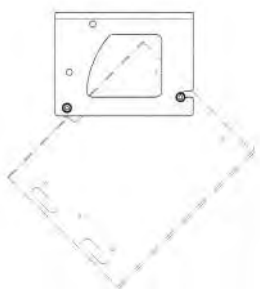
wall 63 degrees



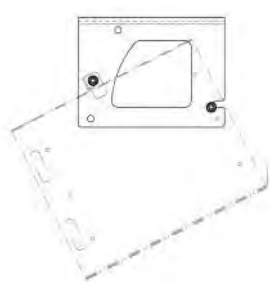
wall 90 degrees



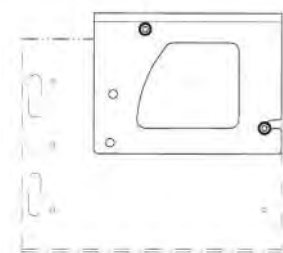
ceiling 45 degrees



ceiling 27 degrees



ceiling 0 degrees



PRODUCTS:

Gaseous Suppression



Inert Gas (IG-01, IG-55, IG-100, IG-541)
Novec 1230™ Fluid (FK-5-1-12)
FM-200® (HFC-227ea.)
Carbon Dioxide (CO₂)
Hybrid Systems (N₂ / Water)
Pressure Relief Vents
Enclosure Integrity Testing Equipment
Pipe & Fittings

Water Suppression



Water Mist - High Pressure
Water Mist - Intermediate Pressure
Water Mist - Low Pressure
Hybrid Systems (Water / N₂)
Monitors & Delivery Systems
High Speed Deluge

Foam Suppression



Foam Concentrates
Foam Proportioning
Foam Delivery Systems
Compressed Air Foam
Foam Concentrate Testing

Explosion Protection



Explosion Suppression
Explosion Isolation
Explosion Vents & Pressure Relief
Spark Suppression
Explosibility Testing

Fire Detection



Linear Heat Detection - Digital
Linear Heat Detection - Fibre Optic
Linear Heat Detection - Micro Chip
Flame Detection
Video Imaging Detection
Spark Detection
Control & Indicating Equipment
Thermal Imaging Detection
Aspirating Smoke Detection

Military & Defence



Military Vehicles
Naval Vessels

Special Applications



Micro Environment
Oxygen Reduction
Kitchen Protection Systems
Dry Chemical
Vehicle Systems
Marine & Offshore
Vapour Mitigation
Li-Ion Fire Systems

Support Services



Design / Engineering
Technical Support
Services & Testing

Australia

Head Office

Unit 1, 251 Ferntree Gully Road
Mt Waverley VIC 3149
Australia

Brisbane Office

Unit 7, 93 Rivergate Place
Murarrie QLD 4172
Australia

Perth Office

18 – 20 Ledgar Road
Balcatta WA 6021
Australia

Sydney Office

Unit 5, 11 Reliance drive Tuggerah
NSW 2259
Australia

1300 742 296

www.fire-protection.com.au
enquiries@fire-protection.com.au

New Zealand

Auckland Office

Unit 2, 13 Airborne Road
Albany North Shore 0632
New Zealand

0011 64 9415 5488

www.fire-protection.net.nz



'Every solution for your special hazard problems'