



# af-x fireblocker



## UAS - Universal Activation System

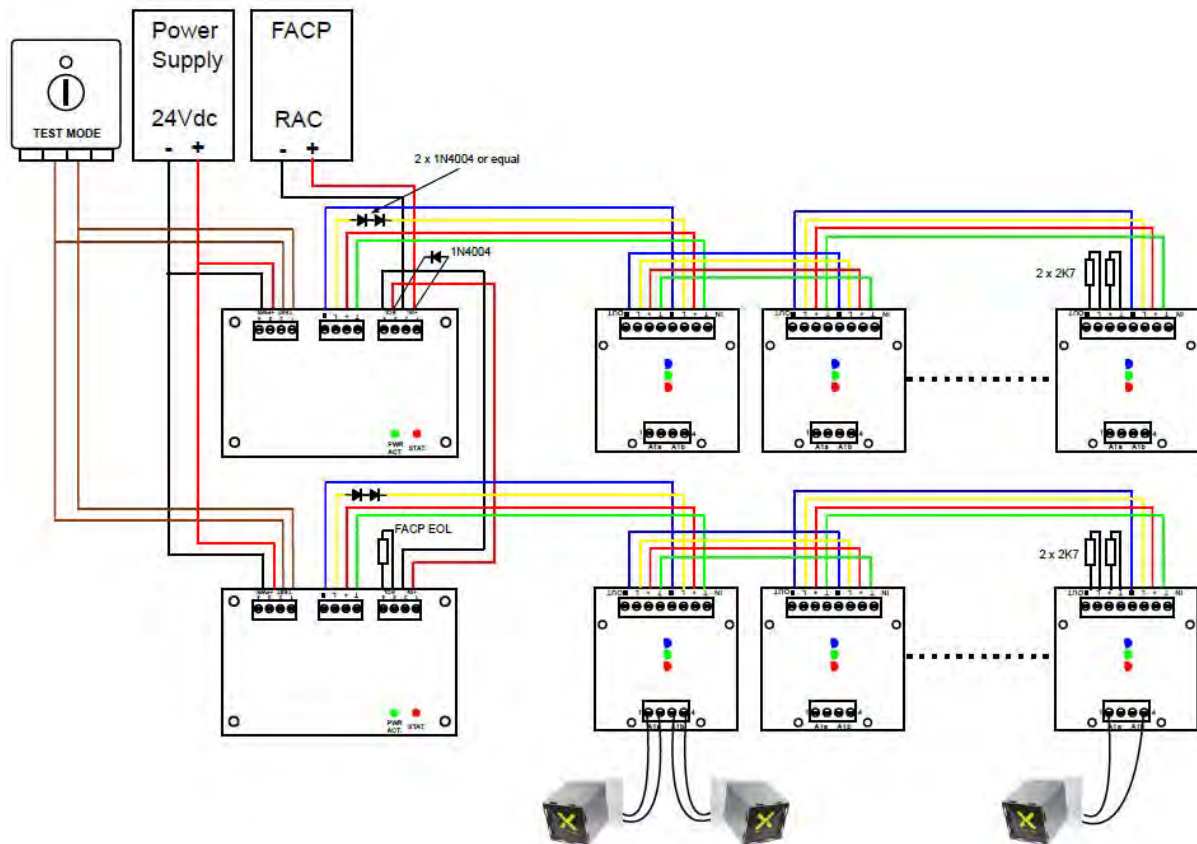
Article: 21-10-362-00-01



### TECHNICAL INFORMATION

<b>UAS</b>	Universal Activation System Controller Unit
<b>IP rating</b>	IP67
<b>ambient temperature range</b>	-10 to 50 degrees Celsius
<b>dimensions (h x w x d)</b>	120 x 120 x 90 mm
<b>mains supply</b>	21 - 28 Volt DC, 2,5A
<b>backup power</b>	18Ah
<b>max. number of UAF Forwarders</b>	100 (2x AF-X Fireblocker per UAF)
<b>terminal capacity</b>	0.5mm <sup>2</sup> to 1.5mm <sup>2</sup> solid or stranded wire

The Universal Activation system (UAS) connects to the Fire Alarm and Control Panel (FACP), it is powered by its own power supply or from the auxiliary power output for external devices from the FACP. The UAS Controller receives the extinguishing command from the FACP Release activation circuit (RAC) and activates all connected UAF Forwarders. Each UAF activates the (max. 2) connected AF-X Fireblockers.



## PRODUCTS:

### *Gaseous Suppression*



Inert Gas (IG-01, IG-55, IG-100, IG-541)  
Novec 1230™ Fluid (FK-5-1-12)  
FM-200® (HFC-227ea.)  
Carbon Dioxide (CO<sub>2</sub>)  
Hybrid Systems (N<sub>2</sub> / Water)  
Pressure Relief Vents  
Enclosure Integrity Testing Equipment  
Pipe & Fittings

### *Water Suppression*



Water Mist - High Pressure  
Water Mist - Intermediate Pressure  
Water Mist - Low Pressure  
Hybrid Systems (Water / N<sub>2</sub>)  
Monitors & Delivery Systems  
High Speed Deluge

### *Foam Suppression*



Foam Concentrates  
Foam Proportioning  
Foam Delivery Systems  
Compressed Air Foam  
Foam Concentrate Testing

### *Explosion Protection*



Explosion Suppression  
Explosion Isolation  
Explosion Vents & Pressure Relief  
Spark Suppression  
Explosibility Testing

### *Fire Detection*



Linear Heat Detection - Digital  
Linear Heat Detection - Fibre Optic  
Linear Heat Detection - Micro Chip  
Flame Detection  
Video Imaging Detection  
Spark Detection  
Control & Indicating Equipment  
Thermal Imaging Detection  
Aspirating Smoke Detection

### *Military & Defence*



Military Vehicles  
Naval Vessels

### *Special Applications*



Micro Environment  
Oxygen Reduction  
Kitchen Protection Systems  
Dry Chemical  
Vehicle Systems  
Marine & Offshore  
Vapour Mitigation  
Li-Ion Fire Systems

### *Support Services*



Design / Engineering  
Technical Support  
Services & Testing

## Australia

### Head Office

Unit 1, 251 Ferntree Gully Road  
Mt Waverley VIC 3149  
Australia

### Brisbane Office

Unit 7, 93 Rivergate Place  
Murarrie QLD 4172  
Australia

### Perth Office

18 – 20 Ledgar Road  
Balcatta WA 6021  
Australia

### Sydney Office

Unit 5, 11 Reliance drive Tuggerah  
NSW 2259  
Australia

**1300 742 296**

[www.fire-protection.com.au](http://www.fire-protection.com.au)  
[enquiries@fire-protection.com.au](mailto:enquiries@fire-protection.com.au)

## New Zealand

### Auckland Office

Unit 2, 13 Airborne Road  
Albany North Shore 0632  
New Zealand

**0011 64 9415 5488**

[www.fire-protection.net.nz](http://www.fire-protection.net.nz)



**'Every solution for your special hazard problems'**