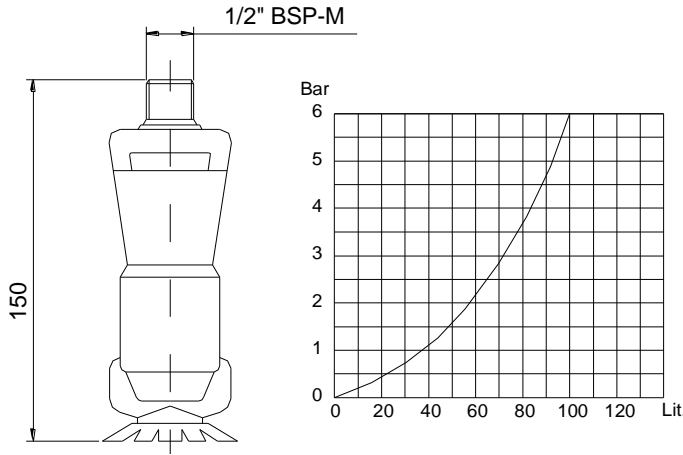
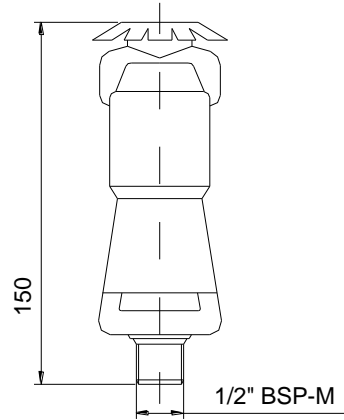


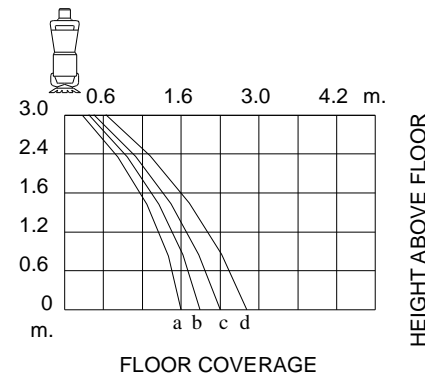
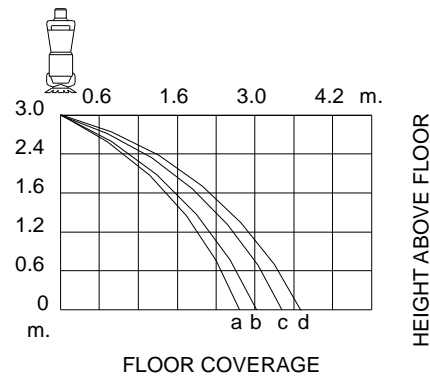
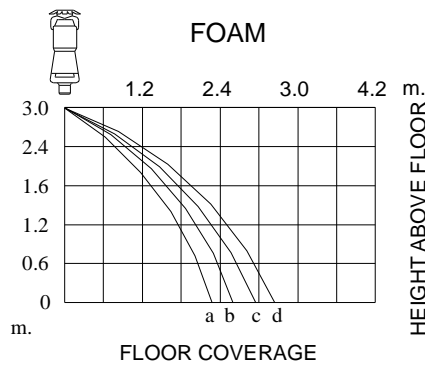
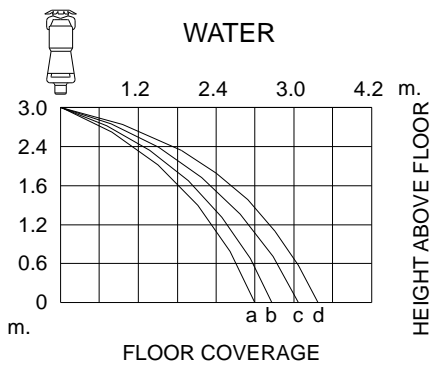
Model Pendent



Model Upright



Dimensions in mm



CONSTRUCTION FEATURES

Body material: bronze

OPTIONAL

Different connections
Different flow rates

Technical data

Model	K-factor	Expansion ratio	Weight
Pendent/Upright	41.2	1:6	0.551 kg

(1) The foam production understands with fresh air, or different indication of foam producer.
(2) Depending on foam concentrate type.