

### Features

For inside air use  
Excellent foaming properties  
Recommended foam Fomtec LS EXP  
DIN or ANSI flange option

### Description

The Bele high-expansion foam generator is designed for total flooding systems or local application of high expansion foam. The massive volume of expanded foam will keep the water application to a minimum and extinguish through a combination of vapour suppression, cooling, oxygen reduction and wetting capability. As standard, the Bele series have carbon steel red epoxy painted (RAL 3000) inlet connection and brass nozzles.

### Application

The Bele high expansion foam generators can be used for applications such as:

- Aircraft Hangars
- Ship Holds and engine rooms
- Power stations and transformers
- Gas turbine generators
- Flammable liquid storage
- LNG vapour suppression



### Recommended foam concentrate

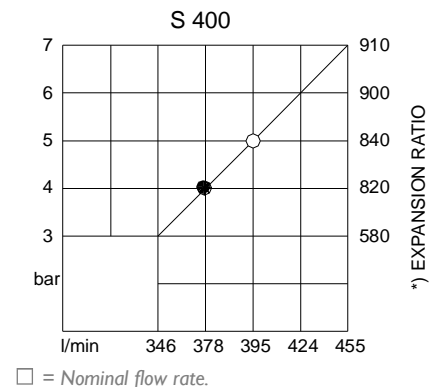
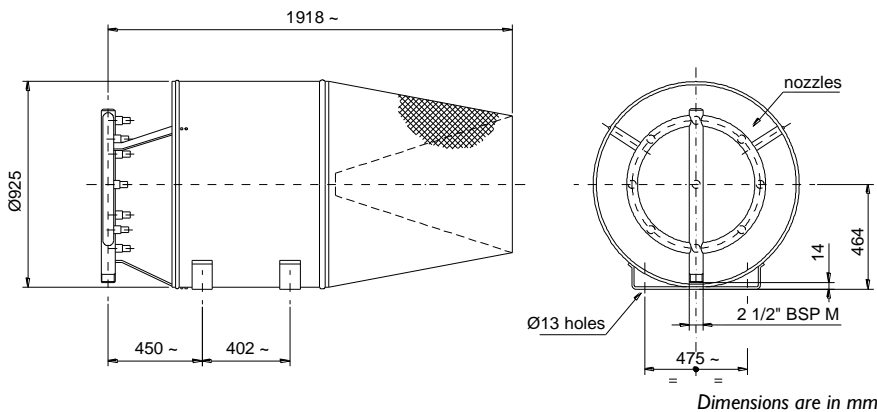
- Fomtec LS EXP

### Operation

The Bele high expansion foam generators is water driven and does not require any other power source. It can be attached to any foam proportioning system such as inductor, bladdertank or foam pump.

### Options

- Zinc plated inlet connection
- AISI 304 / AISI 316 stainless steel inlet connection
- DIN, ANSI / ASA flanged inlet connection



### Technical data

Model	Flow rate L/min – 4 bar	Expansion ratio 4 bar (1)	Weight Kg
BELE S-400	378	820:1	59

(1): Test executed at 20°C, windless using fresh air (recommended). The expansion ratio is depending on foam concentrate type. The performance does not change significantly if combining inside smoke polluted air with Fomtec LS EXP high expansion foam concentrate.