

SHX-UN

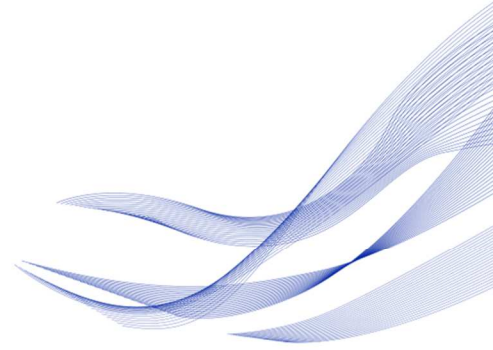
UNIVERSAL PRESSURE VENT



**INSTALLATION
GUIDE**

- 02** Index
- 03** SHX-UN overview
- 04** Room/ vent orientation
- 05** Fitting the Wall Liner
- 06** Fitting the SHX-UN vent
- 07** Testing vent operation
- 08** Fitting Wall Liner extension
- 10** Exterior wall installation
- 11** Fitting an SHX-UN Vent into a Door
- 12** Thin exterior wall installation

SHX-UN COMPONENTS

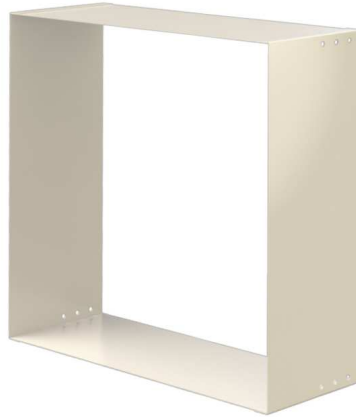


SHX-UN Vent



E. Vent Orientation Label

Wall liner Extension



Wall Liner



The SHX-UN Universal Pressure Vent's unique design (pat applied) offers users the industry's best solution for last protection and gas suppression pressure relief for all inert gases.

The SHX-UN range is the only pressure vent on the market to have the largest true value FVA available correctly 3rd party verified to BRE live discharge test 122084. VDA calculated vent dynamic co-efficient (vDc) of 1.15 (for gas suppression systems only).



INSTALLATION PROCEDURE

1. ROOM / VENT ORIENTATION.

Gas Protected Area

A. SHX-UN Vent

B. Wall liner



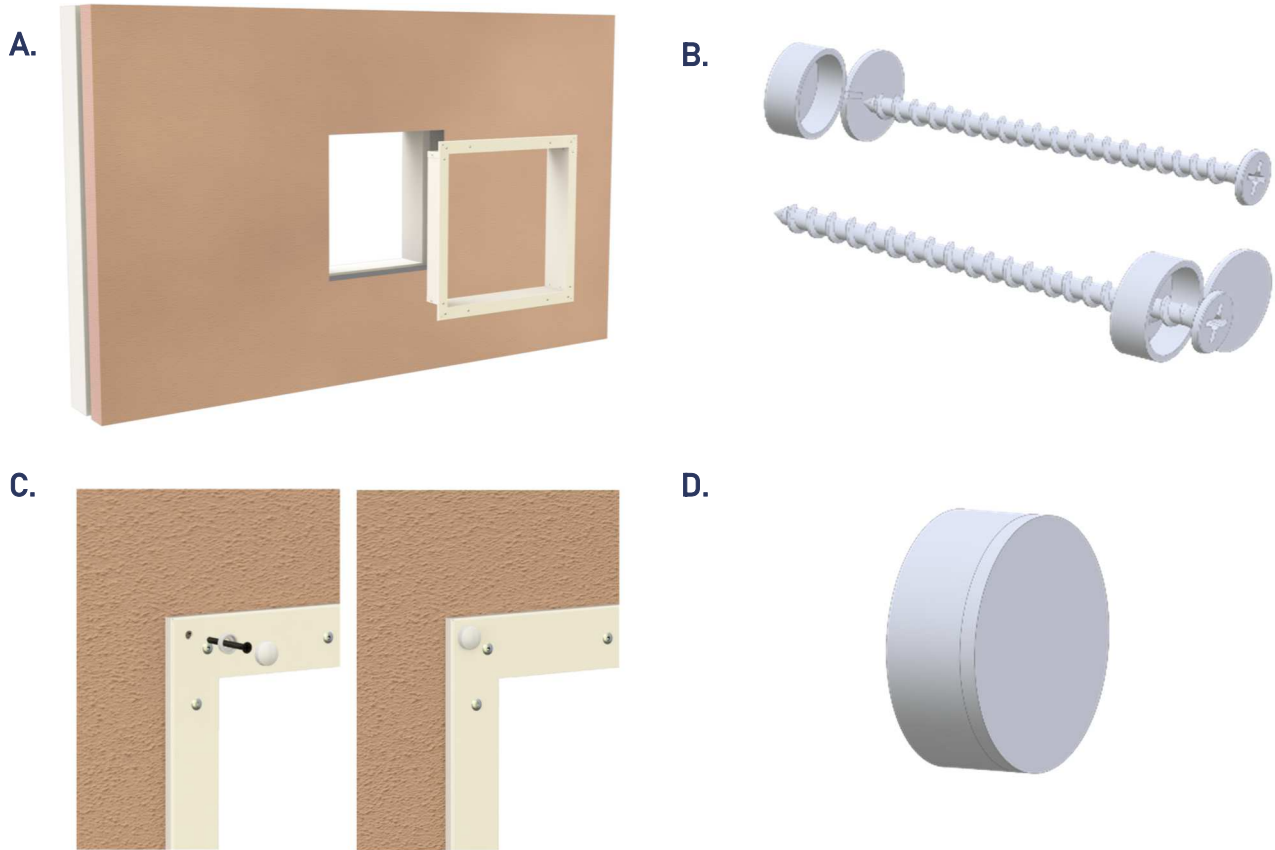
- ◆ Part A/. SHX-UN vent must be fitted from inside the gas protected area for correct venting to be achieved. (For inert gas applications)
- ◆ Subsequently in a wall of more than 4 in or 100 mm B. Wall Liner should be fitted from outside the gas protected area.

WARNING

Failure to do this correctly will result in incorrect venting. Label E must be visible from inside the gas protected area.

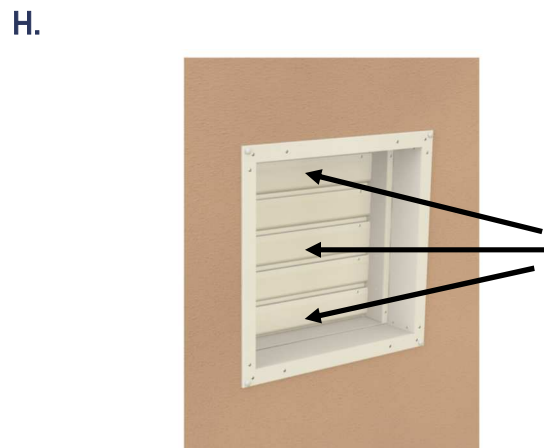
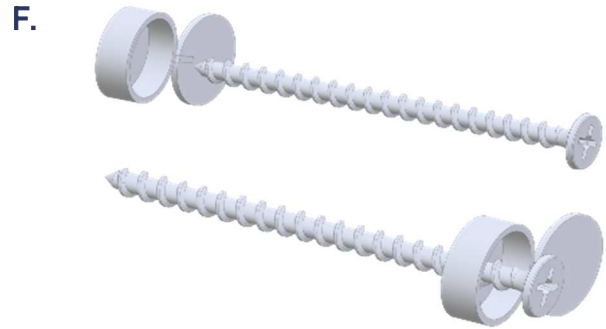
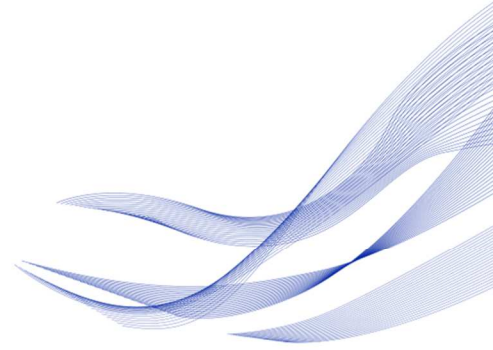


2. FITTING THE WALL LINER



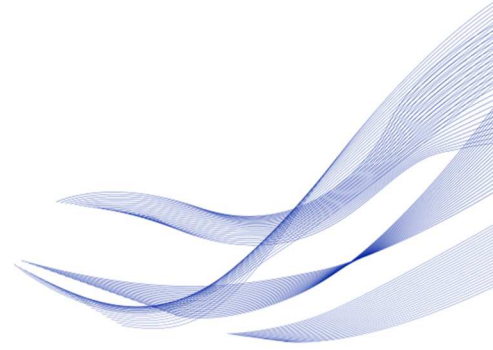
- ◆ **FIGURE A:** Insert the wall liner into the hole in the wall. Make sure there is a secure enough fixing point behind each screw point.
- ◆ **FIGURE B:** Insert 2.5in/63mm fixing screw into plastic hinged cover cap.
- ◆ **FIGURE C:** Fix wall liner onto wall with screws.
- ◆ **FIGURE D:** Snap closed lids on Cover Caps.

3. FITTING THE SHX-UN VENT



- ◆ **FIGURE E:** Insert Vent into the hole in the wall. Make sure there is a secure enough fixing point behind each screw point.
- ◆ **FIGURE F:** Insert 2.5in/63mm fixing screws into plastic hinged cover cap. (If you intend to use an egg crate cover grille then install the vent with out the plastic hinged cover caps).
- ◆ **FIGURE G:** Secure into wall with screws and snap on screw caps.
- ◆ **FIGURE H:** From Wall Liner Side run a bead of intumescent mastic around the gap where the vent and wall liner meet.

4. TESTING VENT OPERATION



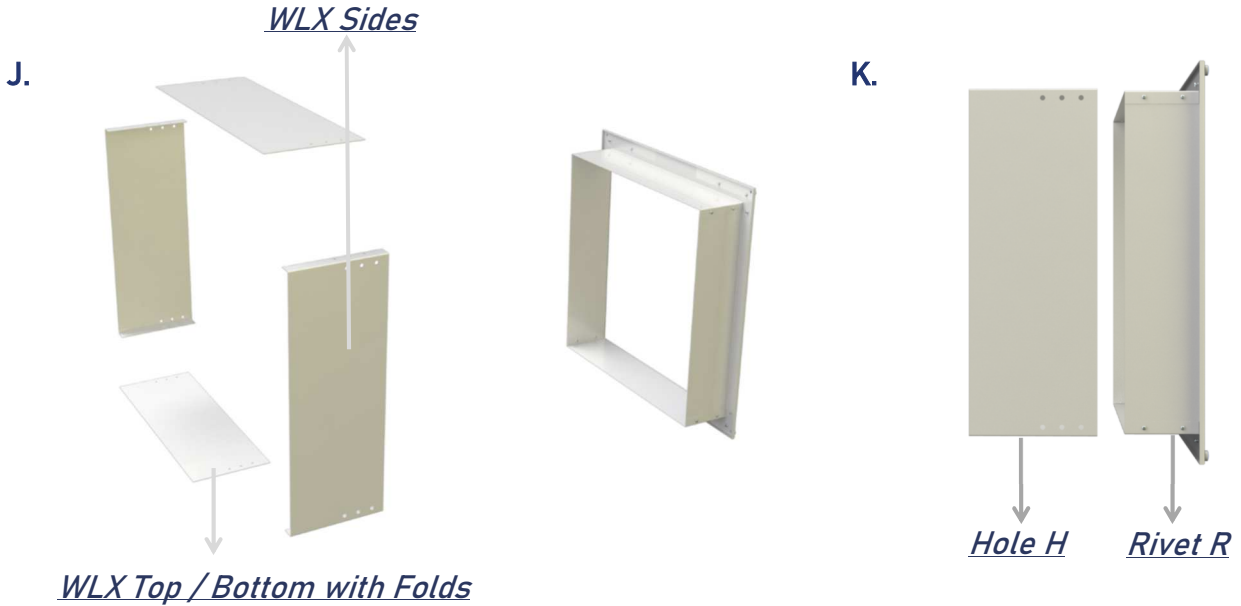
*Lift from this point on
each blade*

I.



- ◆ **FIGURE I:** Lift each blade until it hits its top stop and allow to drop. Each blade should close fully on its own.

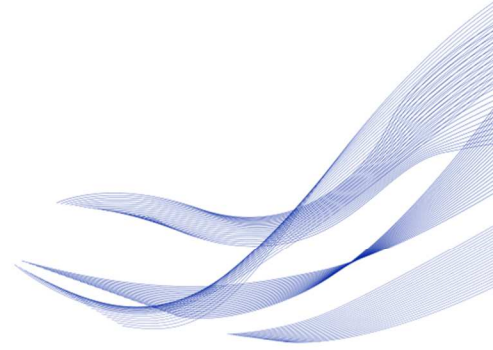
5. FITTING WALL LINER EXTENSION



- ◆ **FIGURE J:** For walls of more than 8 in/200mm thick the WLEX must be used. Note for walls exceeding 13in/350mm the wall will have to be previously lined.
- ◆ **FIGURE K:** The three holes H. in the Top and Bottom WLEX components are to fit over protruding wall liner rivet. R.



There are 3 size configurations. Choose the one where the WLEX does not protrude out of the wall but will overlap the SHX-UN pressure vent.



M.



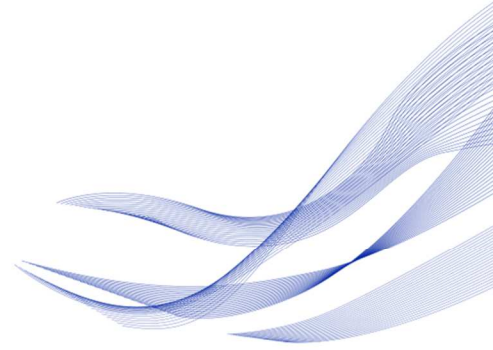
N.



O.



- ◆ **FIGURE M:** Place one side and one top/bottom WLX component onto the wall liner at selected configuration.
- ◆ **FIGURE N:** Make Sure the side is underneath the fold of the top/bottom fold. Using Rivet provided fix into place. You might need to run an 11/64 or 4.5 mm drill to clear the hole.
- ◆ **FIGURE O:** Proceed to repeat at each corner until the WLX is secure all round.



6. EXTERIOR WALL INSTALLATION

If installing an SHX UN vent into an exterior wall a DWL or DWP must be used for weather protection.



P.



Q.



- ◆ **FIGURE P:** The DWL or a DWP fixes through the same fixing holes as the wall liner.
- ◆ **FIGURE Q:** Make sure that where the DWL frame meets the wall that silicone seal is applied.

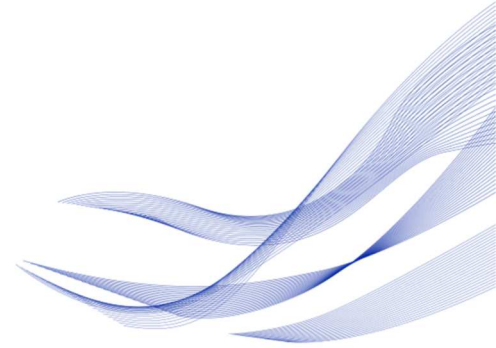
7. FITTING AN SHX-UN VENT INTO A DOOR OR THIN WALL

If installing an SHX UN vent into a thin wall or door then it can be installed without the wall liner.



The rear of the vent can be covered with a Z Frame and Grille if required





8. THIN EXTERIOR WALL INSTALLATION

If installing an SHX UN vent into a thin exterior a Z Frame and DWL or DWP should be used.



THIN EXTERIOR WALL INSTALLATION

Ceiling and floor mounted vents

- ◆ Please note that a standard SHX UN can only be mounted horizontally. For ceiling mounted SHX UN vents it must be ordered as an SHX UN CEI as the units has to be modified to operate in a ceiling.
- ◆ For use in a floor SHX UN vents must be ordered as SHX UN FL as again the unit has to be modified operated in a floor