

Features

- Meter annunciates the location of an alarm point anywhere along the Protectowire Linear Heat Detector.
- Direct reading in feet or meters.
- Large, easy-to-read LED display.
- Scanner option automatically finds zone in alarm and causes Protectowire Meter to display the location of the alarm point.
- Scans to check for additional alarm points in other Protectowire zones.
- Permits manual advance and hold at designated zones.



Protectowire Alarm Point Location Meter & Scanner

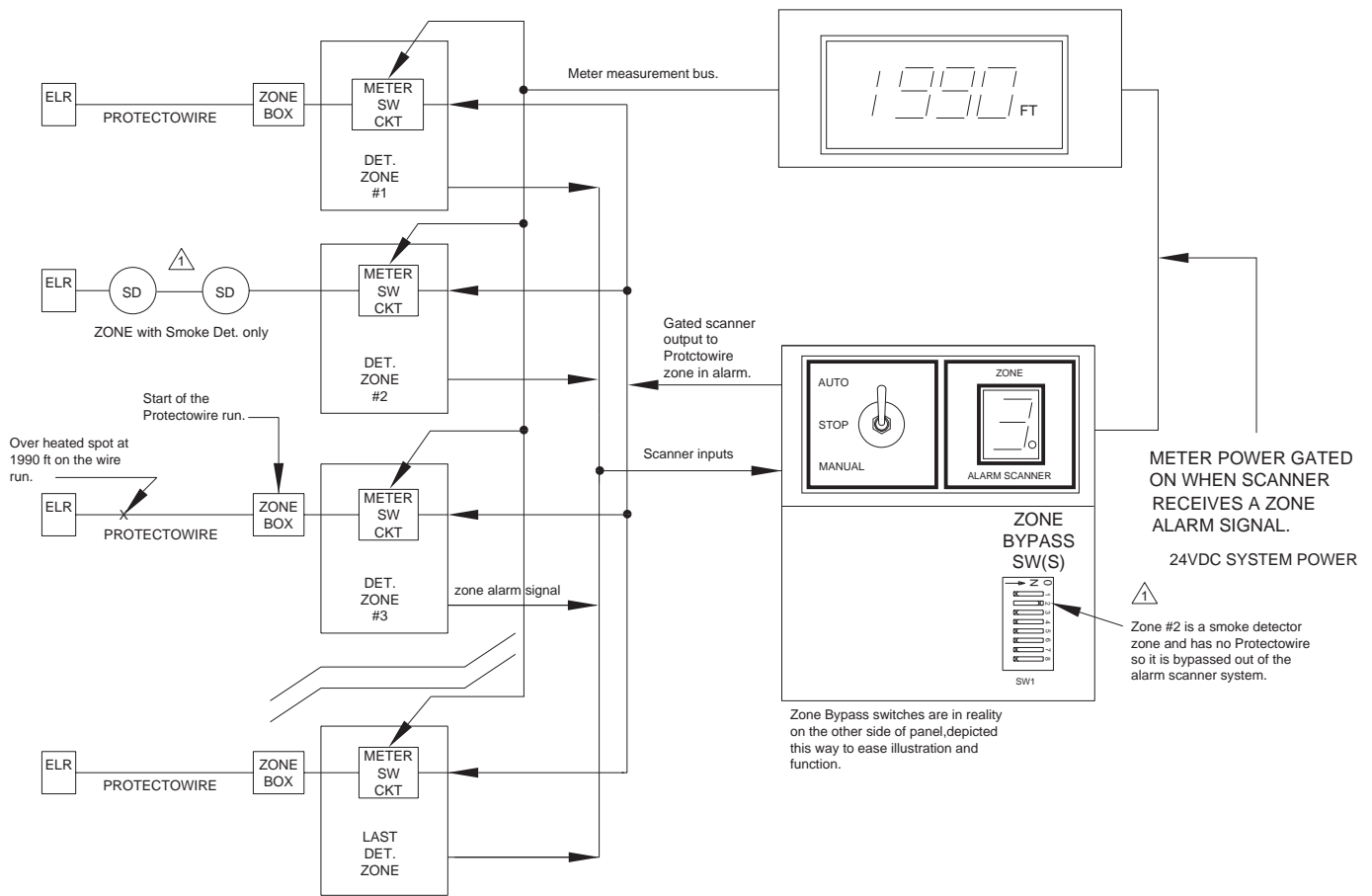
Description

The PWM-D (ACR-1600 Series) and PDM-1000-1 (FS2000 Series) Alarm Point Location Meters are designed to locate a heat actuated point on Protectowire Linear Heat Detector. The Meter provides a means to display the alarm point location in feet or meters from the start of the Protectowire portion of the circuit to the heat actuated alarm point. The standard Meter has a full scale reading of 1,999. Where zone lengths of Protectowire exceed the basic full scale distance, a times 10 scale is provided to increase the range to 19,999. While meter adjustment is normally not required, field calibration is possible to ensure accuracy after installation.

All Protectowire Alarm Point Location Meters provide a manual switching method to connect the Meter to the detection circuit in alarm. An optional Zone Alarm Scanner, in sizes up to 48 zones, is available and may be added to the basic Protectowire Meter to provide a fully automatic Alarm Point Location System. The Zone Scanner is available only when the Protectowire Alarm Point Location Meter is utilized, and is not capable of stand alone operation.

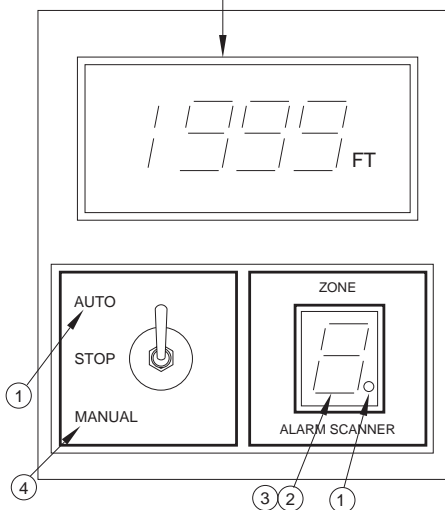
When the Zone Alarm Scanner is operating in the automatic mode, it will continuously scan all the detection zones until a fire alarm signal is received. Upon receipt of an alarm signal, the Scanner will stop on the zone in alarm, and the numeric display will indicate the zone number. At the same time, the Scanner will turn on the Protectowire Alarm Point Location Meter to display the distance of the alarm point from the beginning of the Protectowire portion of the circuit. After approximately six seconds, the unit will scan all the detection zones again to determine if any additional zones have been placed in alarm.

Block Diagram of Protectowire Scanning Alarm Point Locator System



Zone Alarm Scanner Functions

PROTECTOWIRE DIGITAL ALARM POINT LOCATION METER



1. Decimal point segment pulses to indicate Scanner is operating and mode switch is in Auto Scan Mode.
2. Seven segment LED display is normally blank in Auto Scan Mode. This reduces current drain on battery when system is on backup power.
3. Display may be activated, if desired, by way of programming jumper or module.
4. When in Manual Scan Mode steady decimal point will indicate zone(s) has been bypassed using the bypass switch(es) on module.

The Protectowire Co., Inc.

Post Office Box 200, Hanover, MA 02339-0200 U.S.A.
781-826-3878, Fax 781-826-2045

Web: <http://www.protectowire.com>

e-mail: pwire@protectowire.com

Special hazard fire detection systems