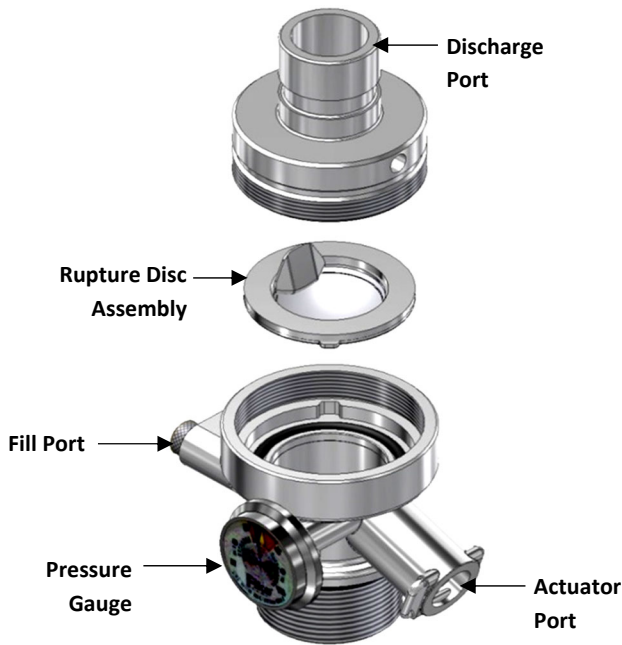


## IMPULSE VALVE



**1 Inch Impulse Valve Assembly**

### Description

The Impulse Valve consists of a fast-acting rupture disc (Hastelloy C276/316 SST) assembly housed in a brass valve body. The valve is factory fitted to each clean agent container and is supplied pre-assembled with a pressure gauge.

The valve is designed to retain the agent within the container until the disc is ruptured by an electric or pneumatic actuator (ordered separately) allowing the agent to be released from the container. The valve's rupture disc assembly also acts as the pressure relief device for the container in accordance with DOT regulations by automatically opening if the container pressure reaches 640 to 725 psi (44.1 to 50.0 bar).

### Valve Ports

Impulse Valves are equipped with the following ports:

- Agent Discharge Port - Allows agent release from container and also fulfills the pressure relief valve requirements in accordance with DOT regulations.
- Agent Fill Port - Used to fill (refill) and pressurize the container and also used for the Low Pressure Switch.
- Actuator Port - Used to connect an Impulse Valve Operator (IVO) with Manual Strike Button for electric and manual actuation of the container or an Impulse Valve Pneumatic Operator (IVPO) for pneumatic operation.
- Pressure Gauge Port - Used to connect a Pressure Gauge that will monitor internal container pressure, also equipped with an orifice plug that allows the pressure gauge to be removed safely when the container is pressurized.

### Approvals

Underwriters Laboratories (UL)  
 Underwriters Laboratories of Canada (ULC)  
 Factory Mutual (FM)

*For exact certification listings, please reference the respective agency web site.*

This document is only intended to be a guideline and is not applicable to all situations. Information is subject to Fike's full disclaimer at <http://www.fike.com/disclaimer>.