

## CO<sub>2</sub> SINGLE CYLINDER MOUNTING STRAPS

### DESCRIPTION

Cylinder Straps are made of steel, primed and painted red with a baked enamel finish for corrosion resistance. All mounting hardware is supplied by the system installer.

### APPLICATION

Cylinder straps are used to secure the cylinder in place, on a single cylinder system, in accordance with OSHA and NFPA 12 requirements. The straps may be secured to any structurally solid surface. Anchoring into plaster or any other facing material is not acceptable.

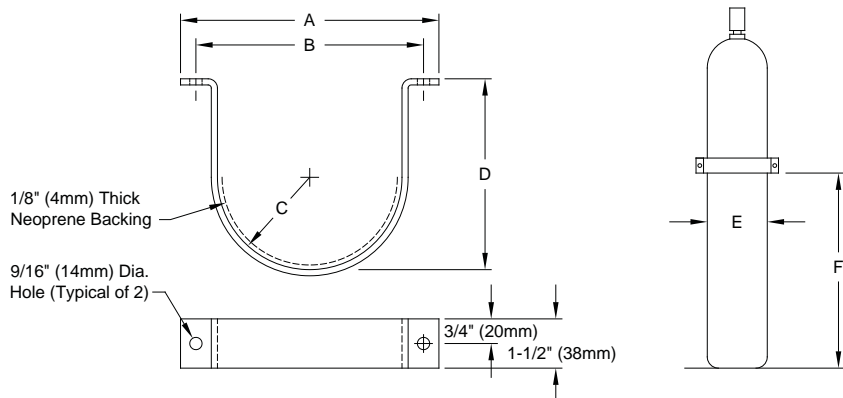
### SPECIFICATIONS

Materials: Carbon Steel  
 Paint - Red Gloss Enamel

### APPROVALS

- UL - Ex 4447
- ULC - CE<sub>x</sub> 1312
- FM - 3002238

Cylinder Size	Strap P/N	Dimension "A"	Dimension "B"	Dimension "C"	Dimension "D"	Dimension "E"	Dimension "F"
50 lb.	C70-211	11" (280 mm)	10" (254 mm)	4 3/8" (111 mm)	8 3/8" (213 mm)	8 1/2" (216 mm)	33 3/4" (857 mm)
75 lb.	C70-212	11 3/4" (299 mm)	10 3/4" (272 mm)	4 3/4" (121 mm)	9 1/8" (232 mm)	9 1/4" (235 mm)	36 3/4" (933 mm)
100 lb.	C70-213	13" (330 mm)	12" (305 mm)	5 3/8" (137 mm)	10 3/8" (265 mm)	10 1/2" (267 mm)	38" (965 mm)



Form No. E.1.17.01-1

*(This page is left blank intentionally)*

