

## CO<sub>2</sub> PRESSURE SWITCH

### DESCRIPTION

The Pressure Switch (P/N C70-202) is used to provide an electrical tie-in to the control panel that indicates the system has been activated. The pressure switch can also be used to open, or close, electrical circuits from various functions such as equipment shutdown and alarm activation.

#### Note:

1. The pressure switch will not transfer during the pre-discharge period. Therefore, the switch is not suitable for an evacuation alarm signal.
2. After operation, the pressure switch must be reset prior to resetting the control panel.
3. The pressure switch should be placed before the time delay in the discharge manifold.

The pressure switch is a double pole, single throw switch housed in a weather-proof backbox. When the system is activated, the switch is operated by the agent pressure from the discharge piping.

### INSTALLATION

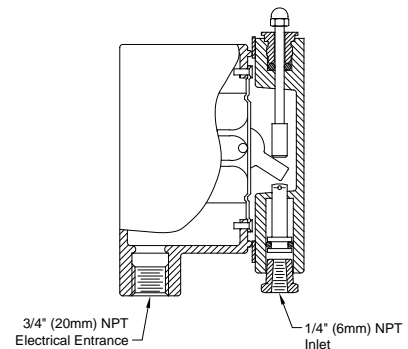
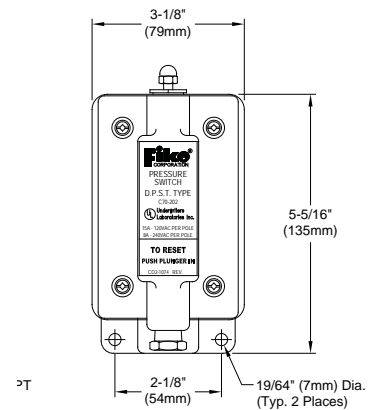
The switch should be mounted on a suitable mounting surface, in the vertical position. Connection is made using 1/4" (8mm) piping in accordance with NFPA 12 requirements.

### SPECIFICATIONS

Part Number:	C70-202
Switch:	Double pole, single throw
Ratings:	15A - 120 VAC 8A - 240 VAC
Operating Pressure:	100 psi (690 kpa) (Activation Pressure)

### APPROVALS

- FM - 3002238/0D8A9.AF
- UL - Ex 4447
- CE<sub>x</sub> - 1312
- USCG - 162.161/2/0 (HFC-227ea)
- USCG - 162.038/12/0 (CO<sub>2</sub>)



Form No. E.1.11.01-2

*(This page is left blank intentionally)*

