

MOUNTING STRAPS AND BRACKETS

DESCRIPTION

Mounting Straps / Brackets are used to secure containers to a wall or other suitable mounting surface. These devices are supplied with each container purchased in accordance with the information shown below. Container brackets have 2 paint options (White or Red). When ordering a container bracket the paint option must be specified. For a bracket painted white enter part number – W and for bracket painted red enter part number – R.

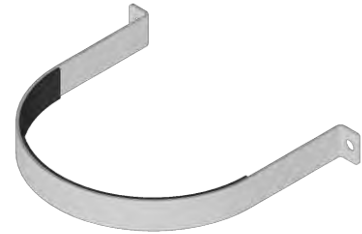
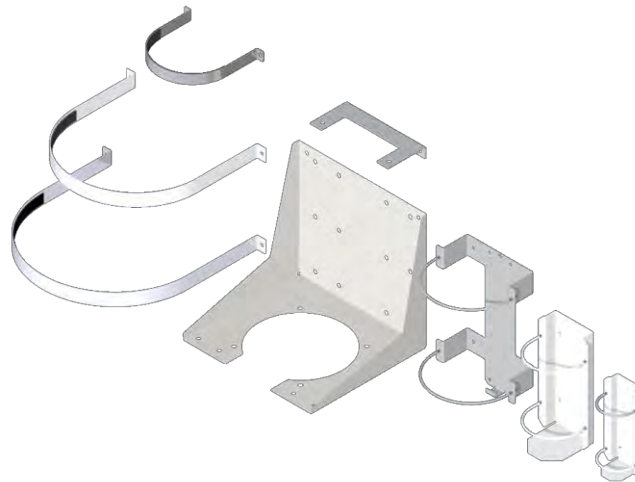
Mounting hardware is supplied by system installer.

Caution: Anchoring into plaster, sheetrock wall or any other facing material is NOT acceptable.

SPECIFICATIONS

Material	Carbon Steel
Bracket Color	White “-W” , Red “-R”

Container Size lb. (L)	Bracket P/N
5 (2)	70-2135-X
10 (4)	70-2135-X
20 (8.5)	70-1372-X
35 (15)	70-1372-X
60 (27)	70-1070-X
100 (44)	70-1345-X
150 (61)	70-2146-X
150i (61)	70-2147-X
215 (88)	70-1310-X
375 (153)	70-1310-X
650 (267)	70-1384-X
1000 (423)	70-1384-X



APPROVALS:

- UL Listed
- ULC Listed
- FM Approved



DATA SHEET

Form No.03-06 Issue No.21.0

Notes:

- 1.) When mounting the 20, 35, & 60 lb. (8.5, 15, & 27L) containers in the horizontal position (wall mount or sub-floor mount), the container valve “Pressure Gage” MUST point up. Failure to comply with this requirement will result in an incomplete discharge.
- 2.) When utilizing FK-5-1-12 as the agent containers must be mounted vertical (upright) position.
- 3.) 150i (inverted) cylinder is not available for FK-5-1-12.