

PROINERT[®] MANIFOLDS

DESCRIPTION

ProInert manifolds are offered in 2, 3, 4 and 5 cylinder configurations. For systems that require more than 5 cylinders, manifolds must be interconnected into a common feed pipe.

Each manifold comes pre-assembled and includes the following parts:

- 25mm galvanized equal tee
- 25mm galvanized pipe

When utilizing multiple cylinders or a “Connected Reserve” supply of cylinders in a common cylinder bank a discharge manifold is necessary. Multiple cylinders may be connected to a common discharge manifold to allow delivery of agent through a single piping network. Fike offers four variations of Discharge Manifolds. Discharge Manifolds may be used in combination or modified as necessary to fit the exact quantity of cylinders required for the system. Each manifold is designed to be connected to the cylinder via a Check Valve and Discharge Hose and comes ready assembled.

Manifold P/N	Manifold Description
IG71-004-2	2 Cylinder Manifold
IG71-004-3	3 Cylinder Manifold
IG71-004-4	4 Cylinder Manifold
IG71-004-5	5 Cylinder Manifold

Manifold Relief Valve
(Fitted Here (*see note)) →

← Manifold Height = 2200 mm
(Floor to Center Line of Manifold Pipe)

* NOTE: Manifold Relief Valve
(P/N IG71-007) must be installed
when Selector Valves are
used. (ordered separately)



APPROVAL



Certification
Number 654a

Typical 5 Cylinder Manifold System with Single - Row Rack Assembly

Once the manifold is assembled and the cylinders connected, the manifold manifold should not be supported by the cylinders. The manifold piping should be secured with pipe hangers or brackets to support the manifold when the containers are removed.

Manifold Relief Valve Assembly (P/N IG71-007)

The Manifold Relief Valve Assembly consists of a safety relief valve, sealing washer and reducing adaptor. It is connected to the discharge manifold of systems that protect multiple hazards via the use of Selector Valves. The safety relief valve is CE marked and has a set pressure of 55.2 bar. It has a G³/₄ outlet connection to allow any discharge to be piped to atmosphere.



Custom Manifold Configurations

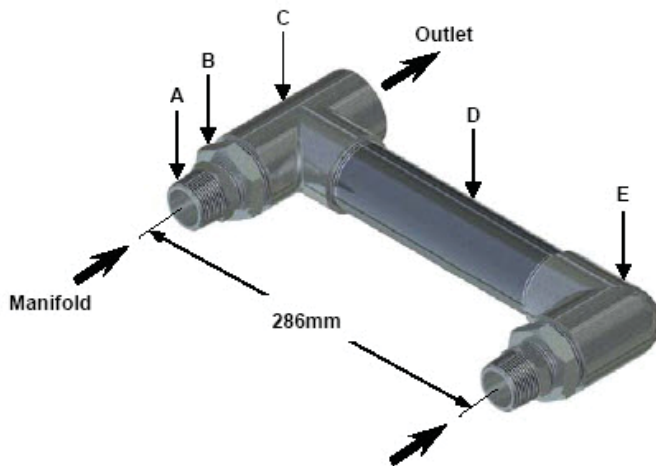
For Cylinder Banks of more than 5 Cylinders it may be necessary to interconnect multiple manifolds. Manifolds may be connected as center feed, end feed or “H” feed configurations into a common discharge pipe.

Typical Manifold Collector Configurations

Manifold piping materials must conform to the requirements as outlined in NFPA 2001, ISO 14520 or EN 15004. Schedule 40 & Schedule 80 piping materials are acceptable. Manifold fitting materials must conform to the requirements as outlined in NFPA 2001. In general, Class 300 malleable or ductile iron fittings are acceptable through 80mm sizes. 1000 lb. ductile or forged steel fittings are required for all sizes greater than 80mm. Class 600 flanged fittings are acceptable for all pipe sizes. Cast Iron fittings are **NOT** acceptable. The following screwed fittings are acceptable:

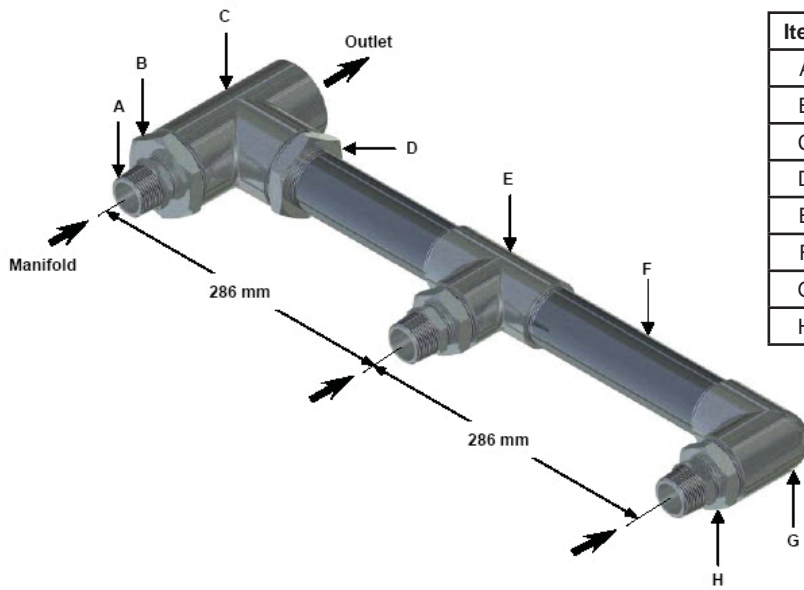
- EN 10241 Steel Threaded pipe fittings, Seamless with a test pressure of 150 bar
- EN 10242 Threaded pipe fittings in malleable cast iron. (These must be purchased to special order with a test pressure of 100 bar)

10 Cylinder, Double Row Manifold Collector



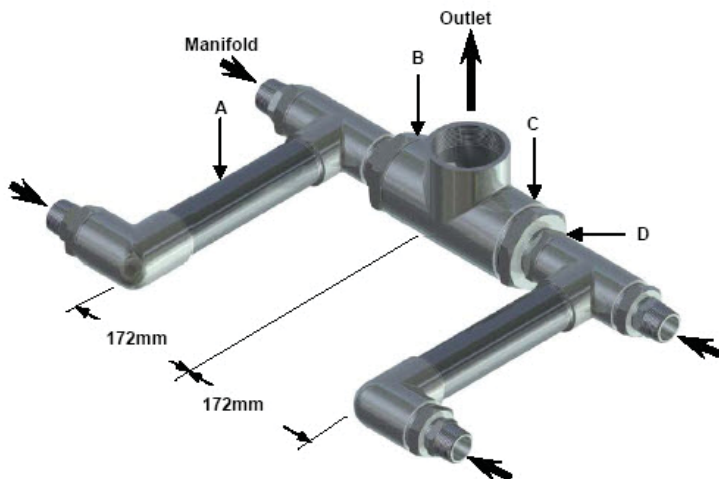
Item	Description
A	Hex. Nipple 1" x 1"
B	Hex. Reducing Bush 1½" x 1"
C	Equal Tee - 1½"
D	Pipe – 1½"
E	Equal Elbow – 1½"

15 Cylinder, Triple Row Manifold Collector



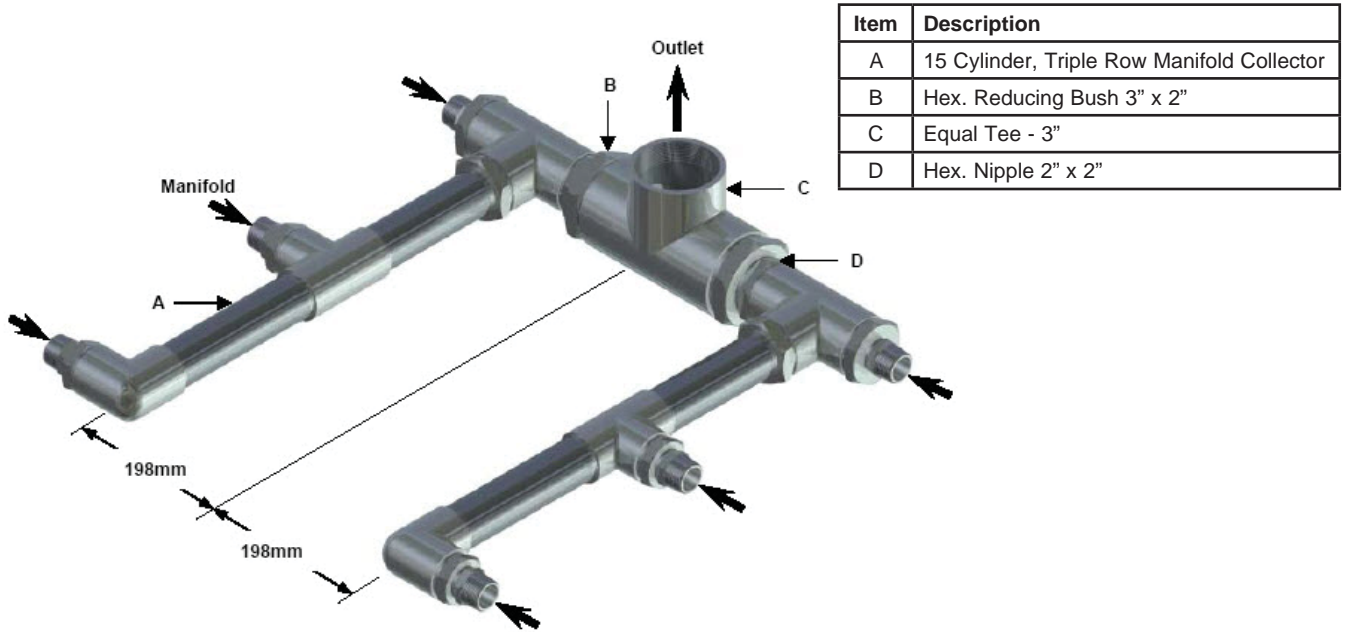
Item	Description
A	Hex. Nipple 1" x 1"
B	Hex. Reducing Bush 2" x 1"
C	Equal Tee - 2"
D	Hex. Reducing Bush 2" x 1½"
E	Equal Tee - 1½"
F	Pipe - 1½"
G	Equal Elbow - 1½"
H	Hex. Reducing Bush 1½" x 1"

20 Cylinder, Double Row Manifold Collector



Item	Description
A	10 Cylinder, Double Row Manifold Collector
B	Hex. Reducing Bush 2½" x 1½"
C	Equal Tee - 2½"
D	Hex. Nipple 1½" x 1½"

30 Cylinder, Triple Row Manifold Collector



Copyright © Fike Corporation All Rights Reserved.
Form No. C.2.32.01-2 December, 2011 Specifications are subject to change without notice.